

<b>Produkt</b>	nLink Analog Transmitter			<b>novasina</b> The Art of Precision Measurement
<b>Dokument</b>	Technical Specification			Novasina AG CH-8853 Lachen
<b>Dokument Nr.</b>	006212	<b>Index</b>	03	Seite Seite 1 von 2

## nLink Analog IP Transmitter (2 analog output)



Dual channel transmitter with IP67 case.

Configuration with USB cable for Android smartphones or Windows PC.

Configuration possible without external power supply.

Values and diagnostic information on Android Smartphone by NFC.

Compatible with all nSens sensor (such as nSens-HT-ENS, Sens-HT-CSS etc) and extension cable.

### Technical Data

Name	nLink Analog IP (Art-Nr 2601743)
Power supply	24V DC, Permissible voltage range: 5 to 39V
Power consumption	<0.5W
Display	none, display possible with Android Smartphone
Analogue outputs (2 outputs)	2 scalable analogue outputs, current 0/4..20mA or voltage 0/2..10V
2* 0/4 - 20mA or 2* 0/2 - 10V	Accuracy <0.05% of span Linearity <0.05% of span Temperature effect 0.005% of span / °C
	Load (I): min. 0 Ω / max. 500 Ω or (Uin-2V)/Imax Load resistance (U): min. 10 kΩ / max. ∞ Ω
Status LED	LED for power On, LED for nSens connected
Housing material	ABS
Protection class	IP67
Soldering material	lead free (RoHS compliant)
Working temp.	0 to 50°C
Storage temperature	-10 to 60°C (non-condensing)
CE-/EMC	Safety: IEC 61010-1:2010 EMC: IEC 61000-6-2:2016, EN 61000-6-2:2005 IEC 61000-6-3:2006+A1:2010, EN 61000-6-3:2007+A1:2011

### Electrical Installation

	Wire specification
Clamping range	0.13 - 1.5mm <sup>2</sup> (Push-in Spring clip)
Wires:	w. plastic collar ferrule DIN 46228/4: 0,25 - 0.75 mm <sup>2</sup> w. wire end ferrule DIN 46228/1: 0,25 - 1.50 mm <sup>2</sup> Solid, min. H05(07) V-U 0.2 - 1.50 mm <sup>2</sup> Wire connection cross section AWG28 - 14

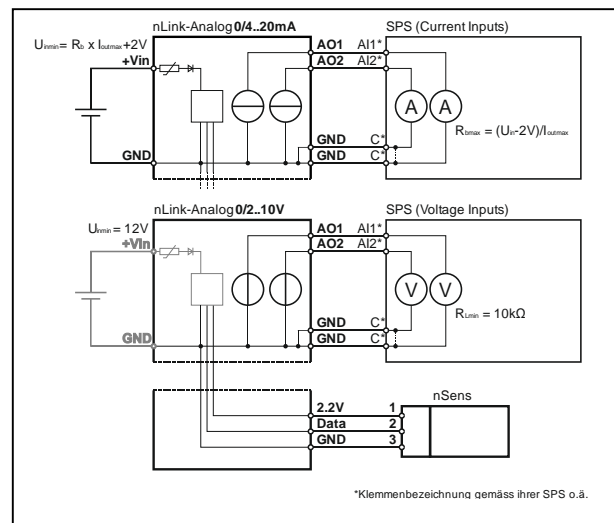
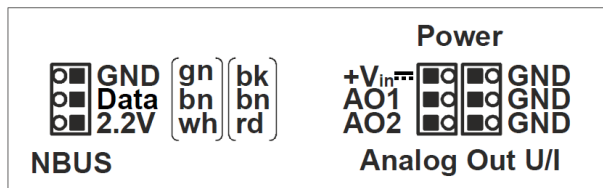
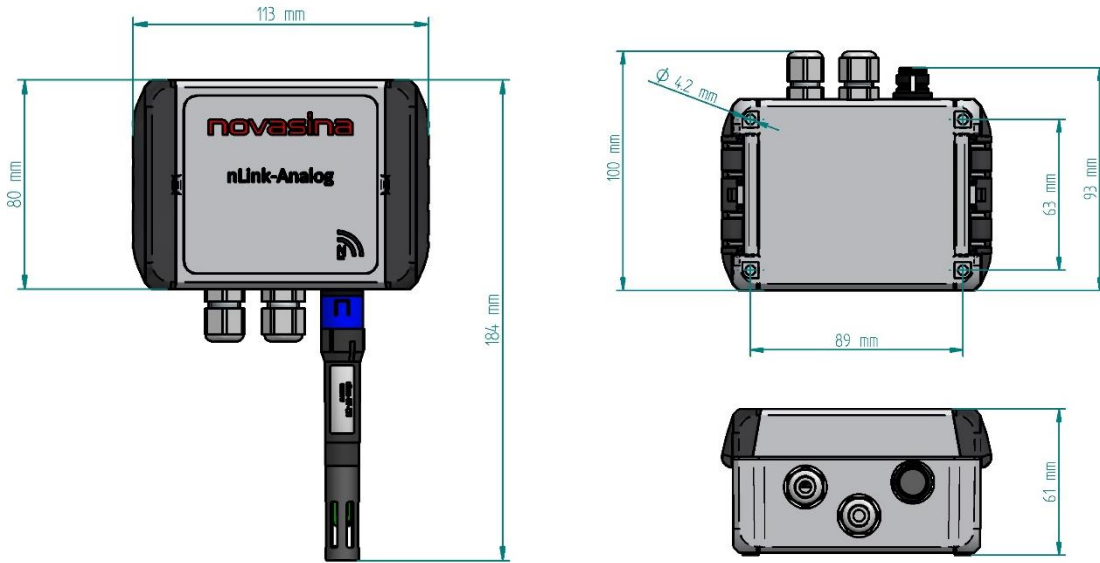
Cable specifications depend on the installation and have to be defined by the designer or installer. Heavy machinery and other instrumentation should not share the same power supply wiring. Use noise filters and surge protectors if required.

For EMC protection it is recommended to take the following measures:




- Wires emitting interference must be separated from measurement and analysis units
- Parallel guidance of measurement cables and electrical power cables must be avoided, use different channels with separation (see European Standard EN50170 for detailed information)

<b>Produkt</b>	nLink Analog Transmitter			<b>novasina</b> The Art of Precision Measurement
<b>Dokument</b>	Technical Specification			Novasina AG CH-8853 Lachen
<b>Dokument Nr.</b>	006212	<b>Index</b>	03	Seite Seite 2 von 2

## Dimension & Schematics



## Sensor cables and Configuration set

nSens cable extensions	Configuration cable: nlink-USB&CA3	Configuration-Software
Extension cable between transmitter and nSens. Also compatible with NovaZone Flex, Modbus, UMB.	Configuration cable for nLink-Analog to Android or Windows PC. Software available for download	<b>Windows PC Software</b> <b>nSoft-ACT-T</b> license free, download <a href="http://www.novasina.ch">www.novasina.ch</a>
		Android App:  Google Play
260 1136 nSens Extension 5m 260 1201 nSens Extension 2m	260 1818 nlink-USB-CA3 (complete set)	

Technical data subject to change without prior notice